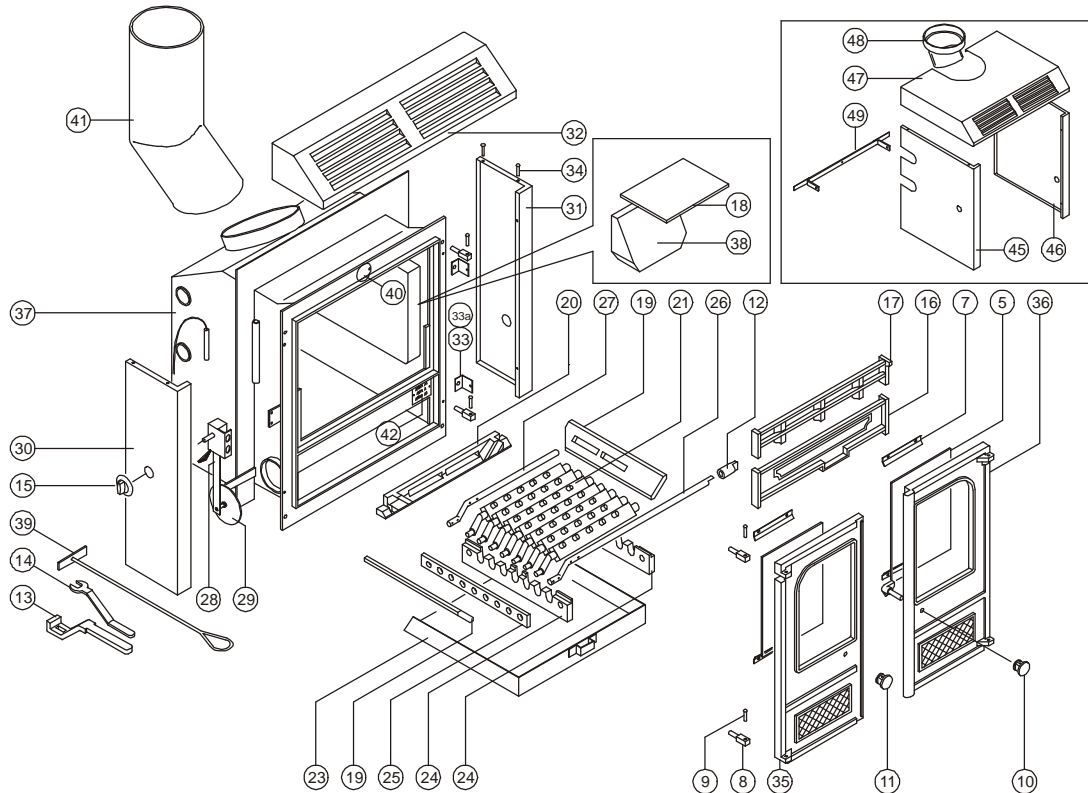


Parts List



Item	Part No.	Description	Item	Part No.	Description
1*	008/RW35L	L.H. Door Seal .....	35	003/RW01	Door L.H. ....
2*	008/RW35R	R.H. Door Seal .....	36	003/RW02	Door R.H. ....
3*	008/RW35/S	Door Seal Set Incl. Adhesive .....	37	009/LA30IB/A	Firebox / Boiler Assy (LA30iB) .....
4*	008/FW29	Door Seal Adhesive .....	38	011/AV09	Boiler Reduction Brick (Optional Extra) .....
5	006/RW18	Glass Inc Glass Channel .....	39	012/FW34	Scraper Tool .....
6*	008/RW44/S	Glass Channel - set of 8 .....	40	008/RW09	Secondary Air Flap .....
7	004/EW23	Glazing Bar .....	41	010/AV12	150° Flue Pipe (Optional Extra) .....
8	008/FW27	Hinge Post .....	42	012/AV11B	Serial Number Label .....
9	008/BW39/S	Hinge Pin Set (4 per set) .....	43*	010/EW51	Ash Carrier (Optional Extra) .....
10	008/RW43/A	Door Catch Assembly R.H. ....	44*	008/TH02/L	Low Level Pipe Stat (Opt'l Extra) .....
11	002/BW12	Door Knob L.H. ....	45	005/AV23	Side Panel L.H. (Freestanding Kit) .....
12	002/CG06	Riddler Knob .....	46	005/AV24	Side Panel R.H. (Freestanding Kit) .....
13	002/BW20	Riddler/Ashpan Tool .....	47	005/AV22	Hood Panel (Freestanding Kit) .....
14	002/BW26	Door Opening Tool .....	48	002/AV13	150° Flue Elbow (Freestanding Kit) .....
15	008/BW50	Thermostat Knob .....	49	010/AV26	Rear Panel Bracket (Freestanding Kit) ...
16	002/FW07	Front Firebar .....			
17	002/FW08	Deepening Bar .....			
18	002/AV31	Throat Plate .....			
19	002/HW15	Side Fire Plate .....			
20	002/HW16	Back Fire Plate .....			
21	002/CG01	Bottom Grate Bar .....			
22	002/CG01S7	Set Of Grate Bars (7per set) .....			
23	004/EW17	Ashpan .....			
24	002/HW30	Carrier Bar .....			
25	012/HW33	Mover Bar .....			
26	012/FW14	Riddler Rod .....			
27	012/CG05	Idler Rod .....			
28	008/FW48	Thermostat .....			
29	008/BW57	Thermostat Flap 90mm dia .....			
30	005/RW05	Side Panel L.H. ....			
31	005/RW04	Side Panel R.H. ....			
32	005/RW06	Hood Panel .....			
33	004/RW13	Panel Fixing Bracket .....			
33a	012/RW30	Hood & Panel Fixing Kit .....			
34	008/WW14S	Hood Fixing Pin Set (4) .....			

\* These items are not shown on the drawing.



To obtain spare parts please contact your local stockist giving Model, Part No. and Description. In case of difficulty contact the manufacturer at the address shown. This drawing is for identification purposes only.